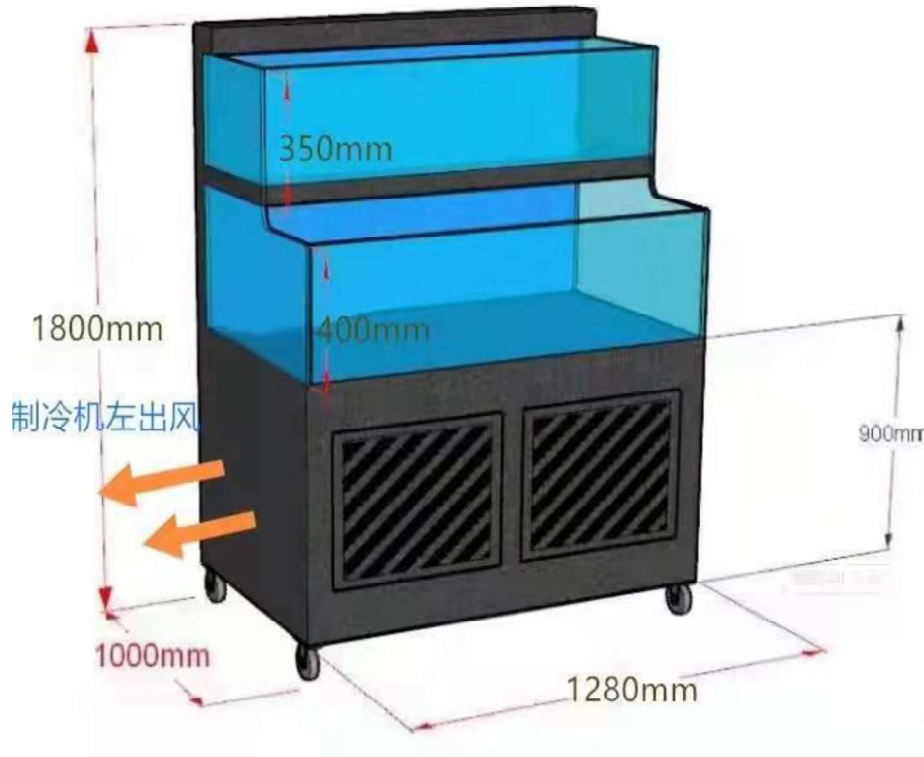


FISH TANKS & ACCESSORIES

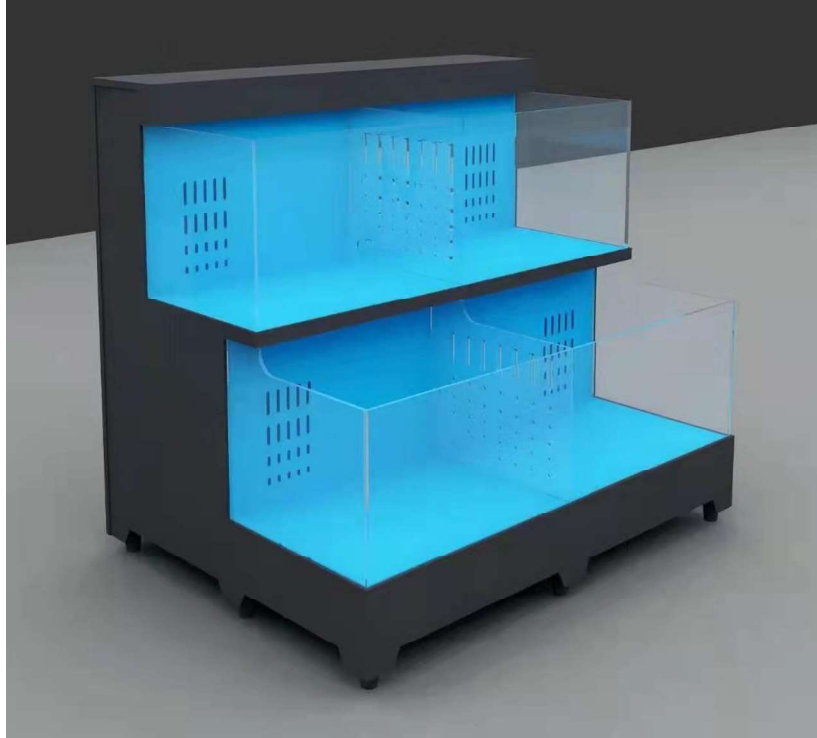


Mobile Seafood Fish Tank - DSG/1280 •\$6,800.00 (1280*1000*1760mm)

Specification:

1. 304 stainless steel chassis (foot 1.1mm thick), ABS adjustable movable rubber feet
2. 12mm ultra-clear glass, the bottom plate is 15mm blue high fiber board
3. Black flash ABS decorative surface
4. Constant temperature machine: Liurong brand 1.5 box machine (National Standard 3C certification), including titanium gun, condenser, fan, etc., the minimum temperature is 6 °C above zero
5. Circulating pump: Yamano PSP6. Power 180W
6. Oxygen pump: Yamano LP40 power 40W
7. Protein skimmer
8. Touch screen intelligent control panel
9. Miscellaneous parts: Liansu PVC circulation pipe, pipe fittings, drain pipe, ball valve, etc.
10. Filter material: PP reverse osmosis filter box, sponge, coral stone, and activated carbon

FISH TANKS & ACCESSORIES



Mobile Seafood Fish Tank - DSG/1500

•\$7,200.00

(1500*1000*1450mm)

Specification:

1. 304 stainless steel chassis (foot 1.1mm thick), ABS adjustable movable rubber feet
2. 12mm ultra-clear glass, the bottom plate is 15mm blue high fiber board
3. Black flash ABS decorative surface
4. Constant temperature machine: Liurong brand 1.5 box machine (National Standard 3C certification), including titanium gun, condenser, fan, etc., the minimum temperature is 6 °C above zero
5. Circulating pump: Yamano PSP6. Power 180W
6. Oxygen pump: Yamano LP40 power 40W
7. Protein skimmer
8. Touch screen intelligent control panel
9. Miscellaneous parts: Liansu PVC circulation pipe, pipe fittings, drain pipe, ball valve, etc.
10. Filter material: PP reverse osmosis filter box, sponge, coral stone, and activated carbon

FISH TANKS & ACCESSORIES



DSG Fish Tank Compressor Features:

- High Quality material
- Both Salt and Freshwater use
- Built in temperature memory
- Adjustable temperature control
- Ultra low noise
- 220-240V / 50 HZ
- CE Certification
- Use for seafood or aquarium tank
- Refrigerant gas use R410A
- Electrical & Overheat auto protect

Fish Tank water cooling Compressor 1.5HP DSG

Model: AK 1.5

S\$ 1,400.00

Specification:

Inlet/ Outlet: 32mm

Dimension: 1.5 HP 720*420*600mm

Cooling: 3.7

Fish Tank water cooling Compressor 2.0HP DSG

Model: AK 2.0

S\$ 1,500.00

Specification:

Inlet/ Outlet: 50mm

Dimension: 2.0 HP 720*420*600mm

Cooling: 5.4

Fish Tank water cooling Compressor 3.0HP DSG

Model: AK 3.0

S\$ 1,850.00

Specification:

Inlet/ Outlet: 50mm

Dimension: 3.0 HP 720*420*600mm

Cooling: 8.1



FISH TANKS & ACCESSORIES



Submersible Built-in seafood pond special protein separator (with water pump)

Special protein separator for seafood tanks – H160A

S\$ 499.00

Technical Specification:

- DC24V-25W
- DC-2000 needle brush pump
- Flow rate: 2000L/H
- Maximum suction capacity: 900L/H
- Processing capacity: 1100L/H
- Applicable water body: 500L-1000L
- Footprint size: 180*235*520mm
- Optimal water level: 180-220MM

Special protein separator for seafood tanks – H130A

S\$ 399.00

Technical Specification:

- DC24V-12W
- DC-1000 needle brush pump
- Flow rate: 1500L/H
- Maximum suction capacity: 300L/H
- Processing capacity: 700L/H
- Applicable water body: 300L-700L
- Footprint size: 140*190*480mm
- Optimal water level: 170-200MM

Special protein separator for seafood tanks – H200A

S\$ 799.00

Technical Specification:

- DC24V-25W
- DC-2500 needle brush pump
- Flow rate: 2500L/H
- Maximum suction capacity: 1000L/H
- Processing capacity: 1500L/H
- Applicable water body: 900L-1500L
- Footprint size: 300*235*560mm
- Optimal water level: 180-220MM

Special protein separator for seafood tanks – H300A

S\$ 1,099.00

Technical Specification:

- DC-8000 needle brush pump
- Flow rate: 8000L/H
- Maximum suction capacity: 2200L/H
- Processing capacity: 5800L/H
- Applicable water body: 1500L-3000L
- Footprint size: 400*350*680mm
- Optimal water level: 210-240MM



FISH TANKS & ACCESSORIES



External seafood pond special protein separator (with water pump)

Special protein separator for seafood tanks – H160D

S\$ 629.00

Technical Specification:

- DC24V-25W
- DC-2000 needle brush pump
- Flow rate: 2000L/H
- Maximum suction capacity: 1000L/H
- Processing capacity: 1500L/H
- Applicable water body: 300L-1500L
- Footprint size: 230*210*560mm

Special protein separator for seafood tanks – H200D

S\$ 999.00

Technical Specification:

- DC
- DC-4000 needle brush pump
- Flow rate: 4000L/H
- Maximum suction capacity: 1500L/H
- Processing capacity: 2500L/H
- Applicable water body: 900L-2500L
- Footprint size: 240*210*700mm

Special protein separator for seafood tanks – H250D

S\$ 2999.00

Technical Specification:

- DC
- DC-8000 needle brush pump
- Flow rate: 8000L/H
- Maximum suction capacity: 2500L/H
- Processing capacity: 5500L/H
- Applicable water body: 1500L-5000L
- Footprint size: 290*260*740mm



FISH TANKS & ACCESSORIES



Dedicated protein separator for external seafood pond (without water pump)

Special protein separator for seafood tanks – H600S

S\$ 399.00

Technical Specification:

- Recommended water supply pump: 6000l/H
- Maximum suction capacity: 1800L/H
- Throughput: 2200L/H
- Applicable water body: 1500-2000 liters
- Land size: 320*320*560
- Reaction chamber diameter: 160MM



Dedicated protein separator for external seafood pond (without water pump)

Special protein separator for seafood tanks – H130S

S\$ 329.00

Technical Specification:

- Recommended water supply pump: 4000l/H
- Maximum suction capacity: 1800L/H
- Throughput: 2200L/H
- Applicable water body: 300-700 liters
- Land size: 140*285*500
- Reaction chamber diameter: 130MM

Special protein separator for seafood tanks – H160S

S\$ 499.00

Technical Specification:

- Recommended water supply pump: 6000l/H
- Maximum suction capacity: 2200L/H
- Throughput: 5000L/H
- Applicable water body: 700-1500 liters
- Land size: 180*280*560
- Reaction chamber diameter: 160MM

FISH TANKS & ACCESSORIES



External seafood pool protein separator (without water pump)

Special protein separator for seafood tanks – H200S

S\$ 629.00

Technical Specification:

- Recommended water supply pump: 6500l/H
- Maximum suction capacity: 3200L/H
- Throughput: 4500L/H
- Applicable water body: 1500-2500 liters
- Land size: 260*330*680
- Reaction chamber diameter: 200MM

Special protein separator for seafood tanks – H250S

S\$ 799.00

Technical Specification:

- Recommended water supply pump: 8000l/H
- Maximum suction capacity: 4000L/H
- Throughput: 2800L/H
- Applicable water body: 2500-4000 liters
- Land size: 170*285*800
- Reaction chamber diameter: 250MM

Special protein separator for seafood tanks – H300S

S\$ 999.00

Technical Specification:

- Recommended water supply pump: 8000l/H
- Maximum suction capacity: 2200L/H
- Throughput: 5000L/H
- Applicable water body: 4000-8000 liters
- Land size: 320*420*860
- Reaction chamber diameter: 300MM



FISH TANKS & ACCESSORIES



DSG Water pump - Sensen HQB5500

HQB-5500

Power:200w
Lift:5.5m
Flow:6800L/H
Wire size : 2.8m
Voltage:220-240v 50hz



Sensen water pump HQB5500 S\$228.00

Specification:

- Voltage 220V/240V/50Hz Power 200W, 6,800L/h, 200x140x160mm, cable length 3m, fresh & Salt water, submersible, weight 4kg, H-Max 5.5m



DSG Air pump - Resun LP40



RESUN LP40 S\$208.00

Specification:

Oxygen pump voltage 220v, power 35W.

Terms & Conditions: (For Fish Tanks & Accessories)

1. Delivery: 45 to 60 days upon receipt of order and deposit
2. Payment Terms: 50% deposit (Non-refundable)
3. Price include delivery and installation
4. Price exclude: filter material: PP reverse osmosis filter box, sponge, and coral stone, and activated carbon 10, filter material

*If there are specific sizes and designs required, please contact 8833 8546 to discuss further.

FISH TANKS & ACCESSORIES



DSG - Premium Coral Stone



Premium Coral Stone - 3KG per pack

\$S\$18.00

Specification:

- Natural Treated & Dried Sea Corals
- Fish Tank L1.28m require 14 packs
- Fish Tank L1.58m require 18 packs



DSG - High Quality Activated Carbon



High Quality Activated Carbon 2.5kg per pack

\$S\$25.00

Specification:

- High Quality Granular Activated Carbon
- Fish Tank L1.28m require 8 packs
- Fish Tank L1.58m require 10 packs

Terms & Conditions: (For Fish Tanks & Accessories)

1. Delivery: 45 to 60 days upon receipt of order and deposit
2. Payment Terms: 50% deposit (Non-refundable)
3. Price include delivery and installation
4. Price exclude: filter material: PP reverse osmosis filter box, sponge, and coral stone, and activated carbon 10, filter material

*If there are specific sizes and designs required, please contact 8833 8546 to discuss further.